

DCV

SERIES

Description

The DCV Series' unique Floating Acetal Copolymer Disc design allows for a positive bubble tight seal with as low as one inch of water crack pressure. Rated for service up to 500 Psig, the DCV Series is available with many standard elastomer seal options, making it a versatile choice for many low pressure applications. DCV Series valves can be ordered cleaned for Oxygen service.

Features

- Ideal for High Cycling Applications
- Quick Acting: less than 10 milliseconds to seal from reversing flow
- No Spring: valve is operated solely by the flow of the media
- Bubble tight closure from zero to 500 Psig



Technical Data

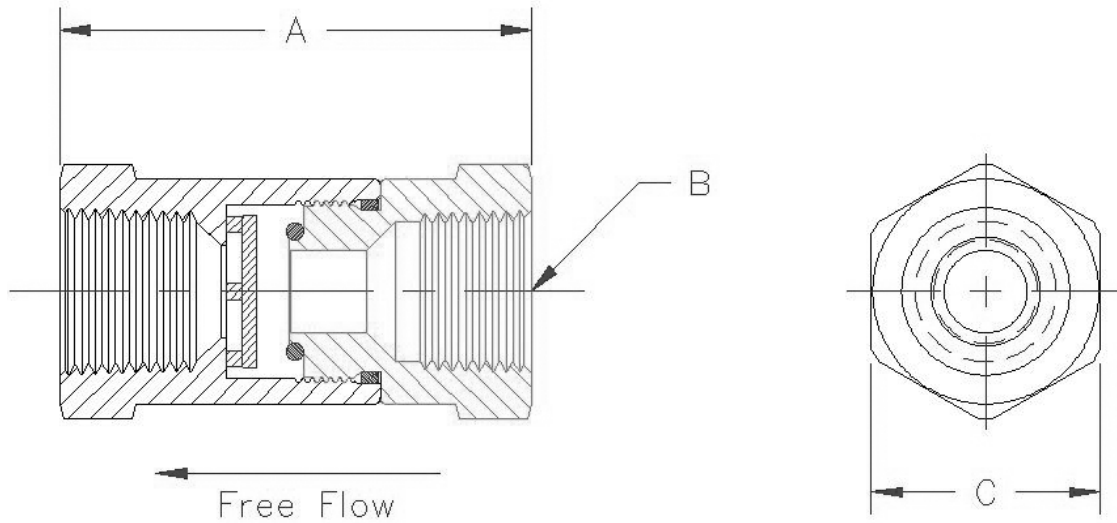
Maximum Pressure: 500 Psig
 Cracking Pressure: <1" H₂O
 Flow Coefficient (Cv):
 1/8" & 1/4" – 0.80
 3/8" – 1.35
 Temperature Rating: -40°F to 210°F (-40° to 100°C)
 (based on seal selection, see ordering information)

Materials of Construction

Component	Valve Body Material
Body, End Cap	Brass, ASTM B16
Poppet Disc	Acetal Copolymer
O-Ring ¹	Viton™(standard)

¹ Lubricated with Krytox™

SERIES DCV DISC CHECK VALVE



Dimensions

Model Code	A	B	C
DCV-125B	1 – 5/8"	1/8" NPT	11/16"
DCV-250B	1 – 15/16"	1/4" NPT	3/4"
DCV-375B	1 – 15/16"	3/8" NPT	15/16"

Ordering Information

DCV - 250 B - V

SERIES
DCV - Disc Check Valve

PIPE SIZE (NPT)
125 - 1/8" Female x Female
250 - 1/4" Female x Female
375 - 3/8" Female x Female

MATERIAL CODE
B - Brass
SS - 316 SS

SEAL MATERIAL
V - Viton™, -10°F to 210°F (-23°C to 100°C)
B - Buna-N, -40°F to 210°F (-40°C to 100°C)
EP - Ethylene Propylene, -40°F to 210°F (-40°C to 100°C)
S - Silicone, -40°F to 210°F (-40°C to 100°C)

OPTIONS
Oxygen cleaning, alternative seals and other thread configurations, consult factory

Note: Viton™ and Krytox™ are trademarks of DuPont.

PROPER COMPONENT SELECTION – When specifying a component, the total system design must be considered to ensure safe and trouble-free performance. Intended component function, materials compatibility, pressure ratings, installation, environment and maintenance are the responsibility of the system designer.



Valves & **BI-Lok** Fittings

www.generant.com

1865 Route 23 South PO Box 768 Butler, New Jersey 07405 973.838.6500 Fax 973.838.4888